



# External Transmission Oil

## Cooler Kit

## Suitable for:



**LDV T60 Dual Cab Ute with 6sp  
6L50 Automatic Transmission**

**WITH THE FOLLOWING ENGINES:  
SC28R - 2.8L Turbo Diesel**

Please read through all of the instructions carefully before proceeding. If any of the information does not appear correct or the diagrams don't match your vehicle, please contact Wholesale Automatic Transmissions on +61 3 9762 8004.

# Parts List



1 x Cooler Bracket with  
cooler fitted



5 x 8-16mm Hose  
Clamps



2m x Cooler Line Hose  
with Conduit



1 x 3/8 Barbed double  
joiner



1 x Derale snapin barb



1 x M6x20mm bolt  
1xM6 flange nut



1x M8x20mm bolt  
1xM8 flange nut



5 x Cable Ties

Expected Installation Time: ~3 Hours

## Summary of Installation - For Experienced Fitters

- SAFETY FIRST: Allow engine, transmission and transmission fluid to cool prior to starting work to prevent serious injury.
- Remove top plastic shroud and remove any bash plates blocking access to underneath radiator.
- Fit both ends of hose to cooler with screw clamps but don't cut hose loop.
- Remove the passenger side bolt holding the bonnet catch.
- Feed cooler and hoses into place and mount using bonnet catch bolt
- Using M8 bolt and nut supplied fit side mounting point to radiator support bracket
- With the M6 bolt and nut supplied fit the lower mounting point to the radiator support panel.
- Remove drivers side OEM cooler pipe from bottom of radiator and fit supplied Derale snap in fitting using OEM spring clip
- Cut the transmission oil line just above the steel pipe and fit 10mm steel barb
- Route Cooler lines to new unions. Cut, install and secure with screw clamps. Lines are bi-directional.
- Check all parts are secure and no loose items can come into contact with hot or moving parts.
- Start vehicle and check transmission fluid level. Top up if required using manufacturers recommend transmission fluid
- Clean any transmission fluid spilt during installation. Re-install any parts removed
- Test drive vehicle for at least 10 minutes. Check for leaks and re-check Transmission oil.

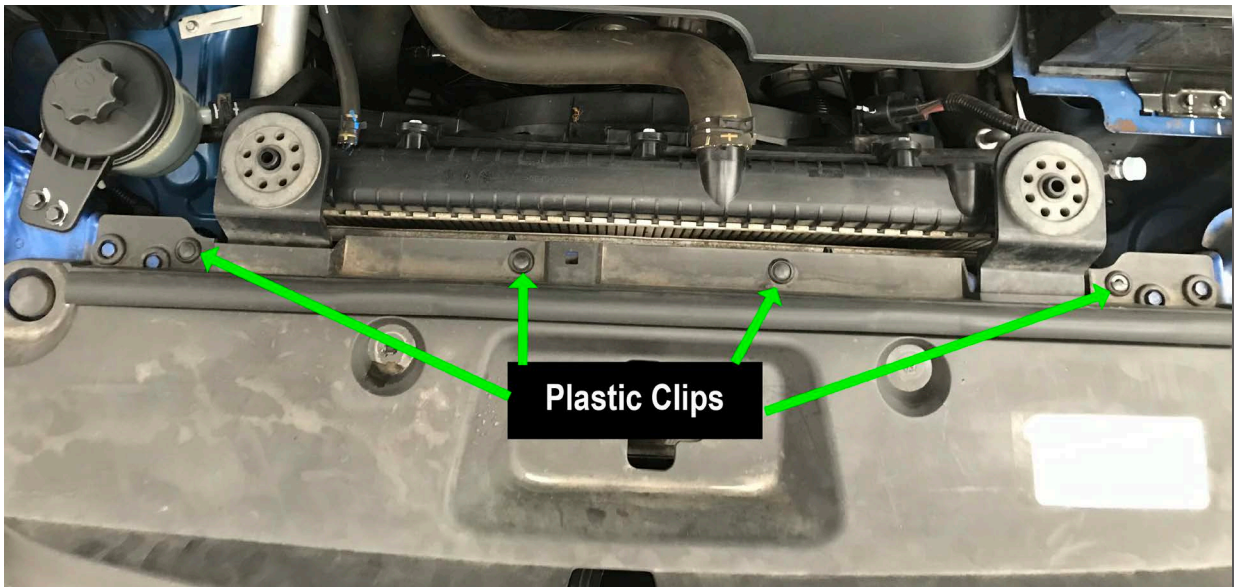
## Detailed Installation Instructions

Before Commencing work, please ensure that you have sufficient transmission fluid and to top up at the end of the job.

Note:- Fluid must be pump delivered, no gravity feed option (step 18)

### Cooler Bracket Mounting

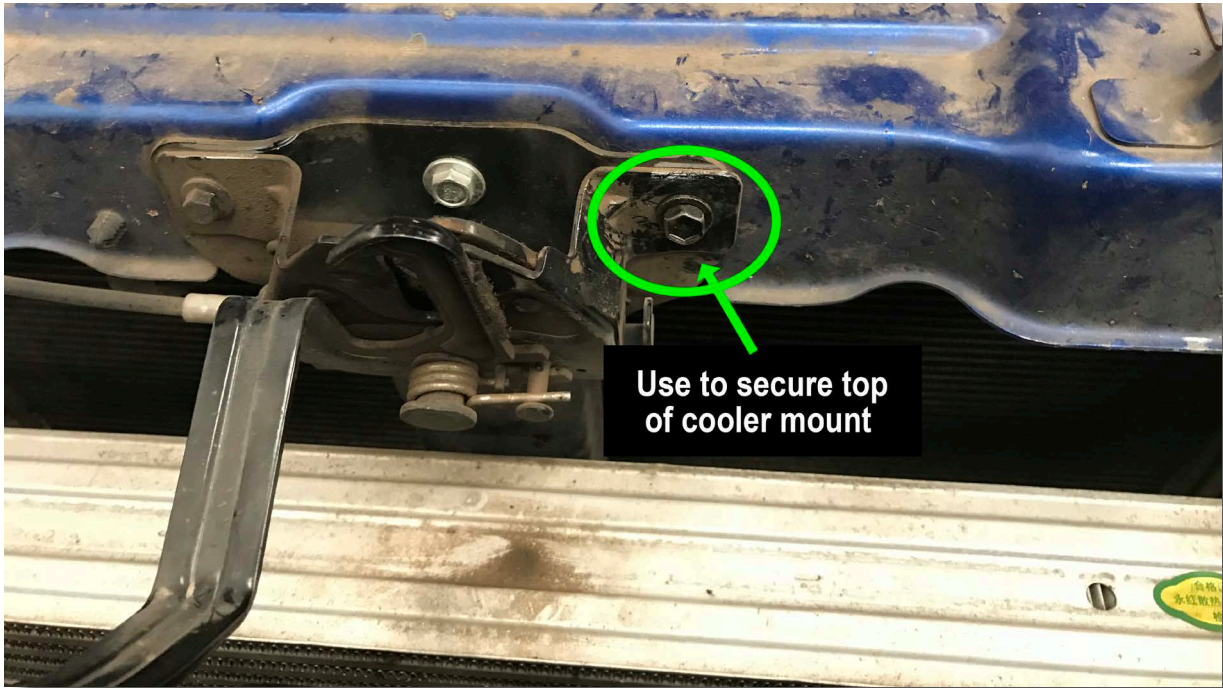
1. Open bonnet
2. Remove any bash plates preventing access to underneath the Raditor.
3. Remove the four plastic clips and thirteen plastic tabs holding the top shroud in place and remove



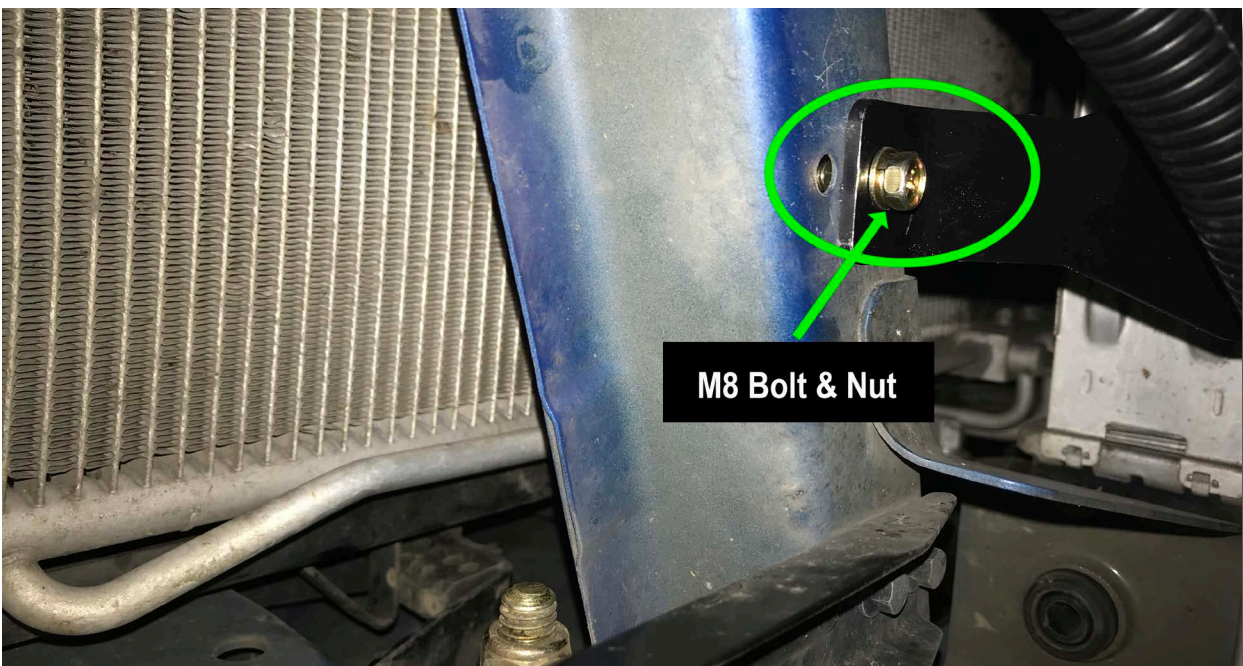
4. Connect each end provided cooler hose to both ends of transmission cooler and secure with hose clamps. Do NOT cut the hose yet



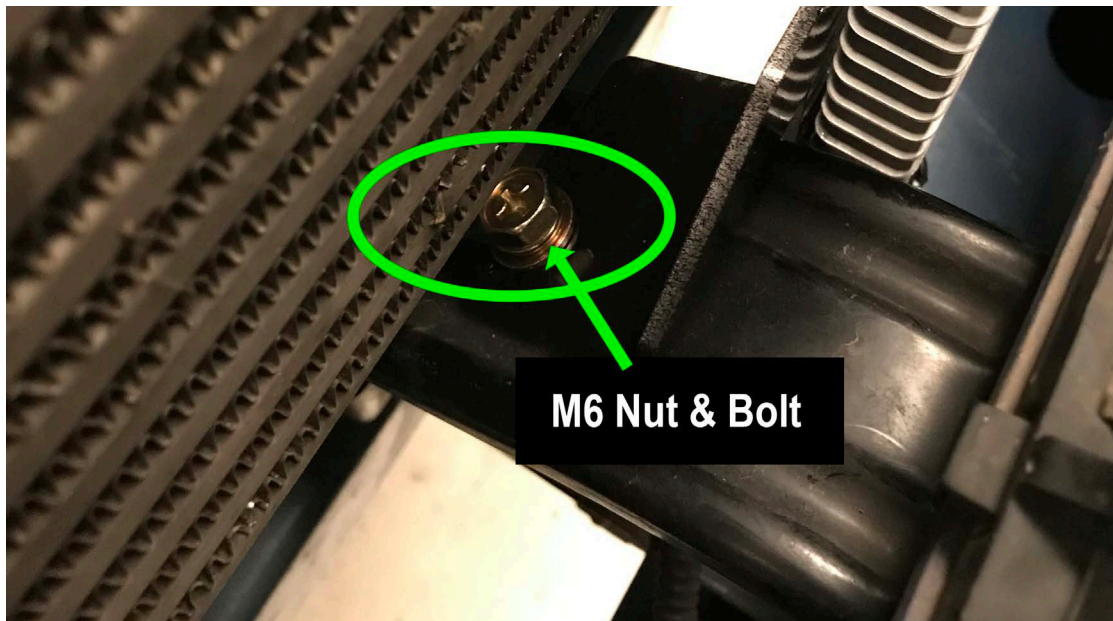
5. Remove the passenger side bolt holding the bonnet catch. Feed cooler and hoses into place and mount using bonnet catch bolt



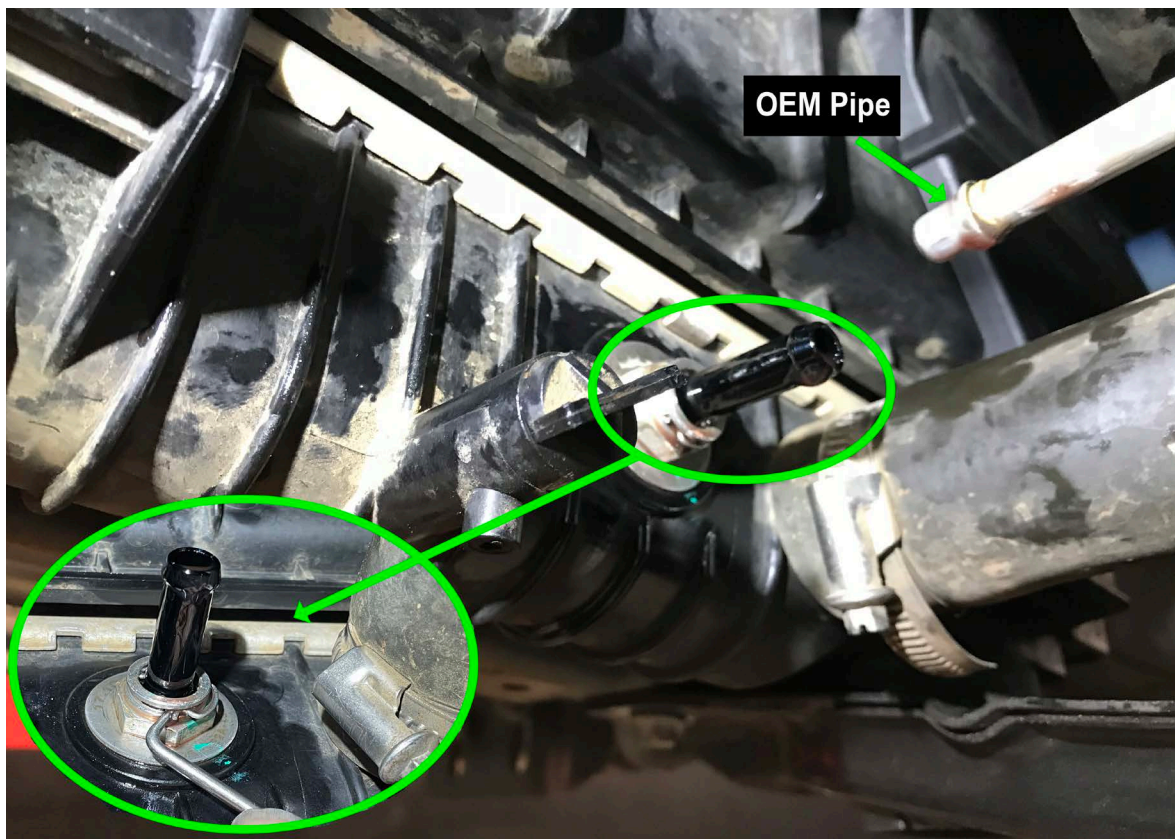
6. Using M8 bolt and nut supplied fit side mounting point to radiator support bracket



7. With the M6 bolt and nut supplied fit the lower mounting point to the Radiator support panel.



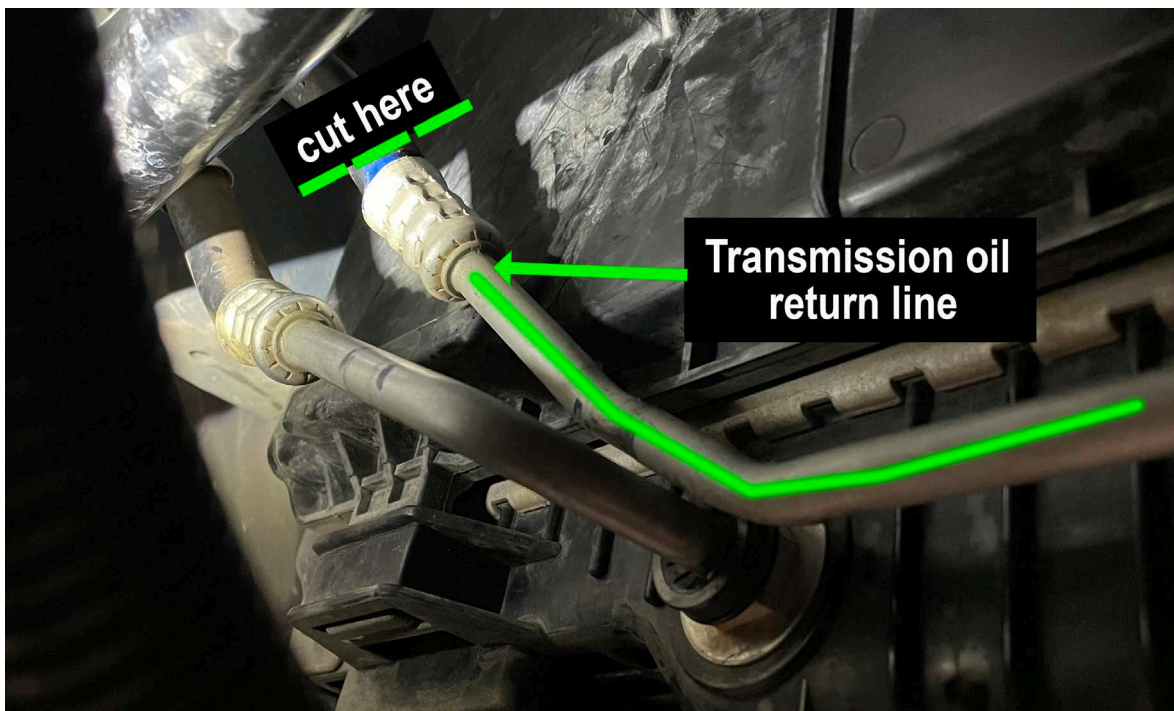
8. Remove Drivers side OEM cooler Pipe from bottom of radiator and fit supplied snap in fitting with OEM spring clip.



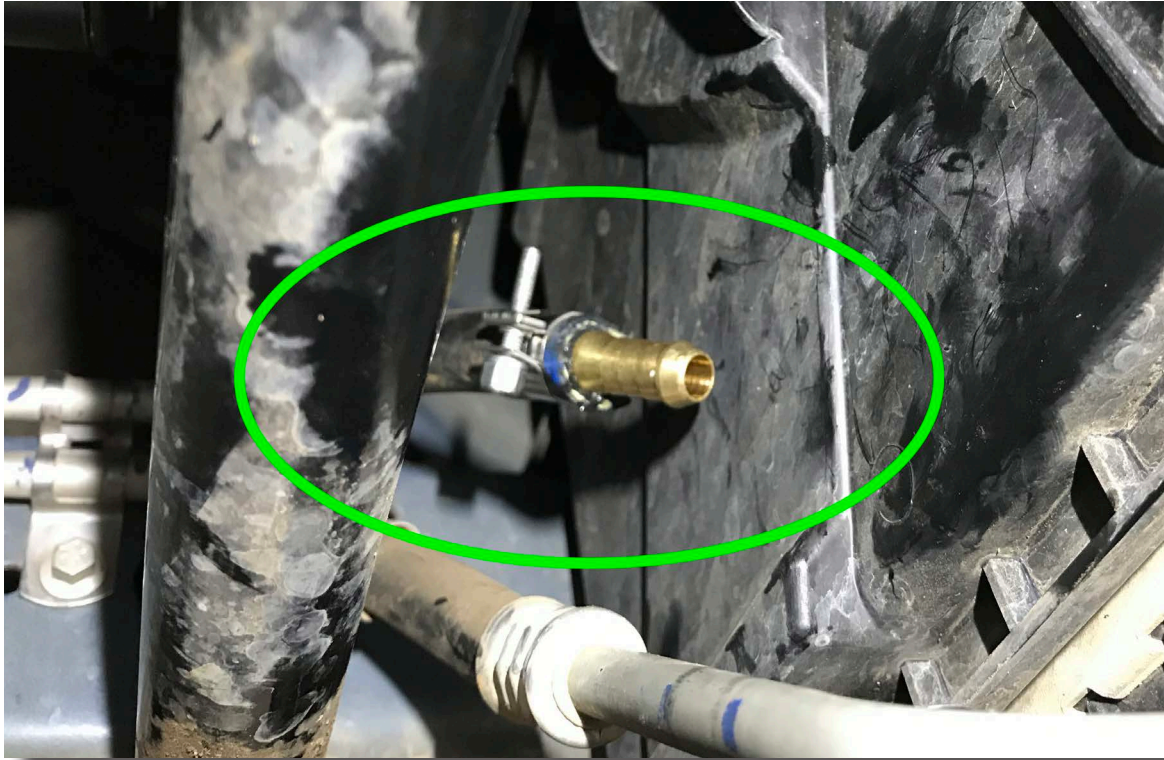
9. Route the hose from the oil cooler under the Radiator as shown. Cut hose to length and attach to snap in fitting with hose clamp provided.



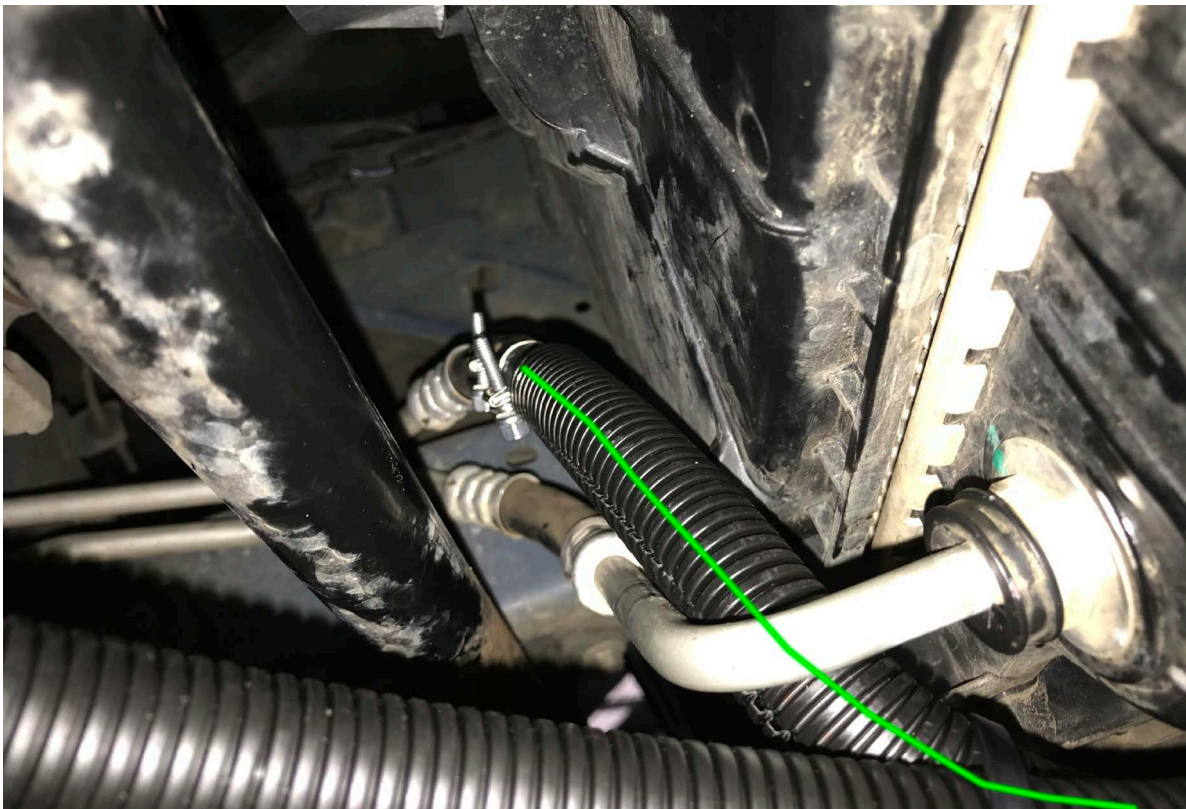
10. Cut the rubber section of the transmission oil return line just above the aluminium pipe. OEM pipe can be discarded.



11. Fit 10mm double barb and secure with provided hose clamp.



12. Route remaining hose under radiator as shown

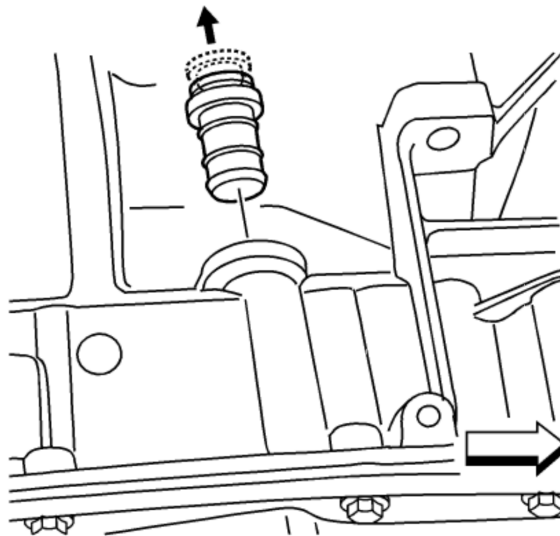




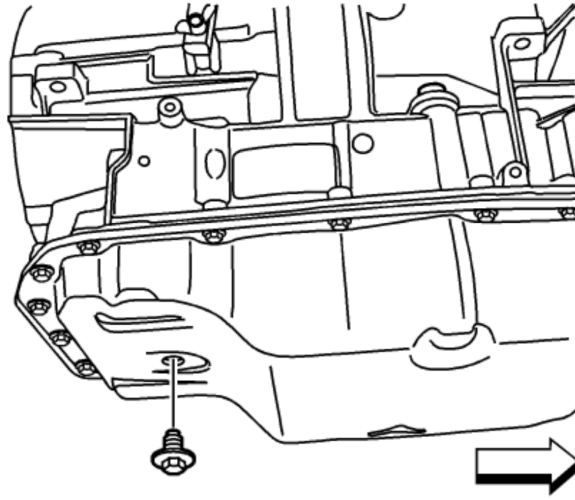
13. Trim and connect to the barb and secure with hose clamp.



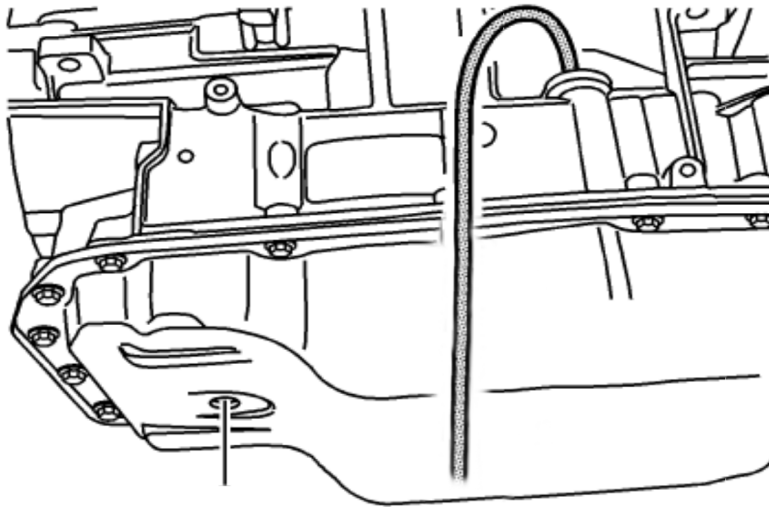
14. Ensure that hoses are secure and away from any moving engine parts  
15. Replace bash plates and refit plastic shroud  
16. Transmission fluid level must to be topped up prior to driving the car  
17. Fluid level should always be checked with the engine running  
18. To remove the fill plug, use a pair of 90 degree bent needle nose pliers. Find the top of the plug, it will first pop up, after this you can remove the plug with your hand.



19. With engine running (for at least 30 seconds) remove the drain plug from the bottom of the transmission.



20. Pump transmission oil into the filler hole until it just starts to trickle out of the drain plug.



21. Replace both plugs, clean any transmission fluid spilt during installation.  
22. Re-install any parts removed and check for any leaks  
23. Test drive the car until it reaches operating temperature.  
24. Repeat steps 15 to 19 to recheck fluid levels.

# This completes the installation of the Dual External Transmission Oil Cooler Kit to suit: LDV T60 Dual Cab Ute with GM 6L50 Automatic

Please remember ALL automatic transmissions have a service interval of 2 years or 40,000km to improve the longevity of the transmission.

---

## Please Provide us with Feedback

If you have a minute to provide us with some feedback about your experience with Wholesale Automatic Transmissions and our products, that would be greatly appreciated.

Using your smart phone or device's camera app, point at the QR code below to take you straight to our feedback page for you to choose the most appropriate feedback method.



# Protect your Transmission

## Analogue Transmission Temperature Gauge

Don't wait until it's too late! A real-time readout Transmission Temperature Gauge, picking up the temperature of the oil at it's hottest point is the cheapest form of insurance you have against total transmission failure. If something was to go wrong with your transmission, most likely the temperature will be your first warning sign.



## Full Synthetic Transmission Fluid

Orto-Fluid Full Synthetic Automatic Transmission Fluid is a multipurpose replacement developed to cover a wide range of ATF specifications. Orto-Fluid is the perfect choice for the customer that wants high reliability and smooth gear changes while extending their service intervals to 2 years or 50,000kms.

## Deep Cast Transmission Pan

The LDV T60 Cast Transmission Pan provides extra oil capacity for the 6L50 transmission. The more oil the better the cooling – which lowers your risk of heat related damage to the transmission. This cast pan has the extra oil capacity to provide improved cooling and the more oil you have in circulation the longer your transmission oil will last before deterioration starts to occur, adding an extra 25% longevity to the oil.



**Available now from Wholesale Automatic Transmissions**



Visit us on the web